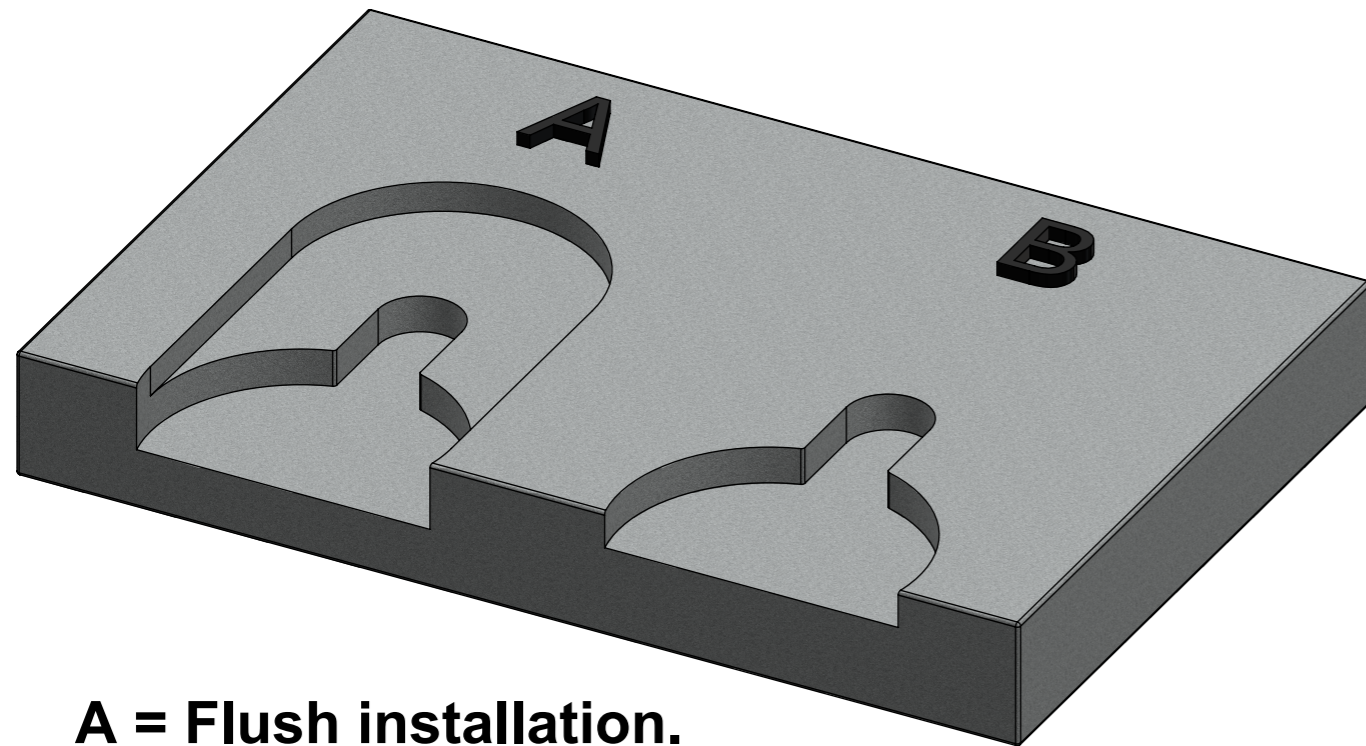
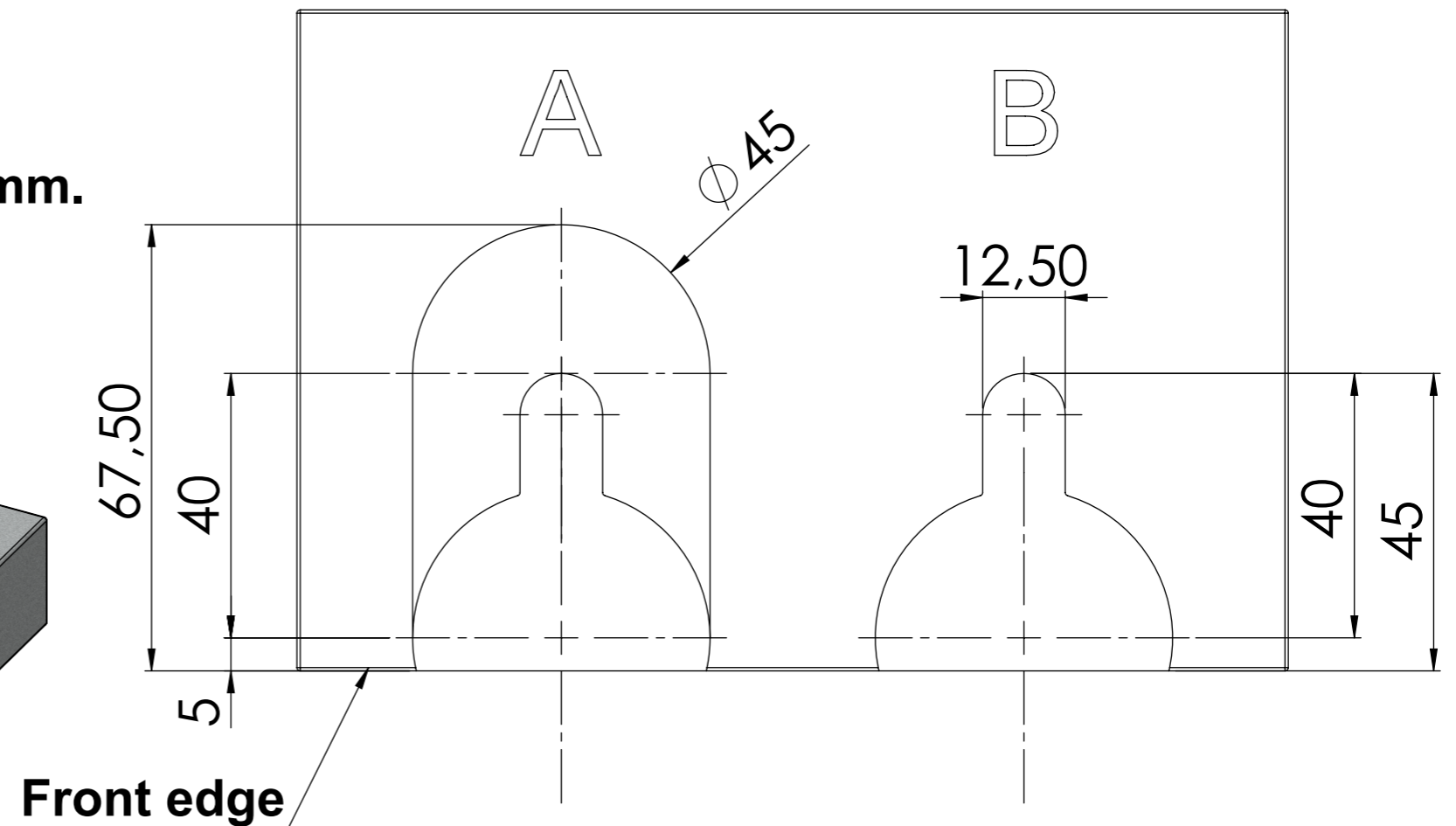
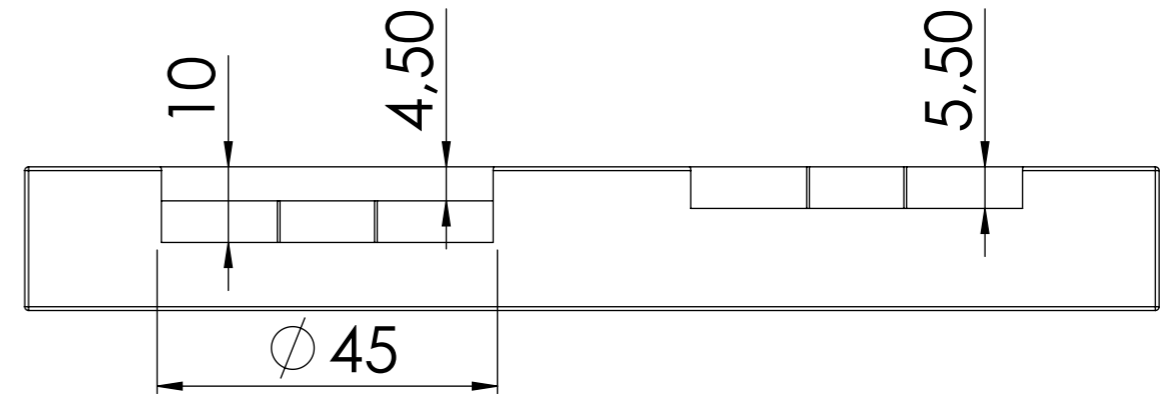
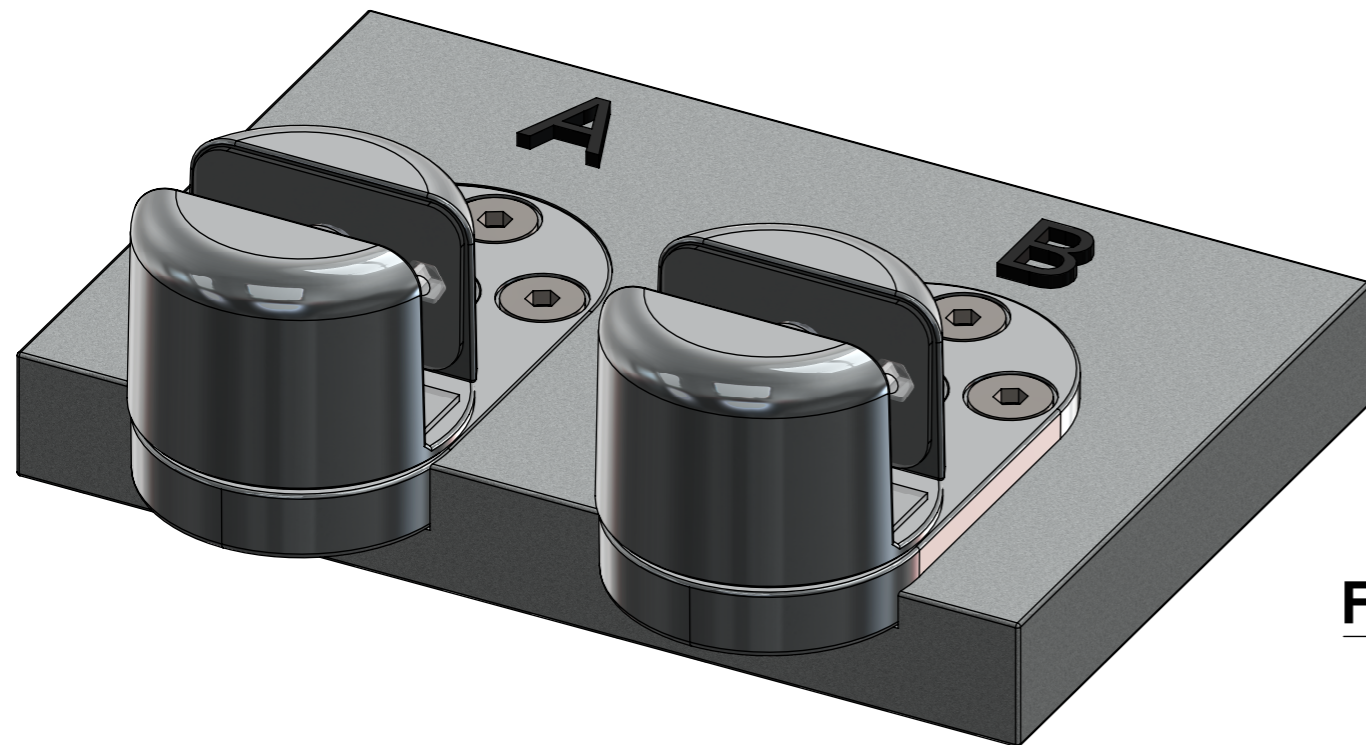


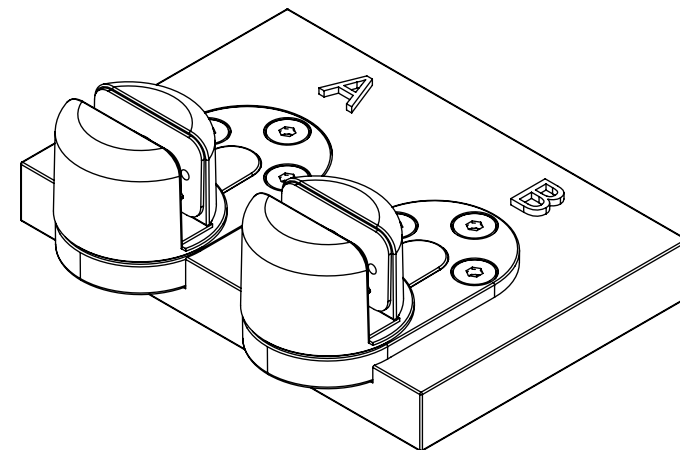
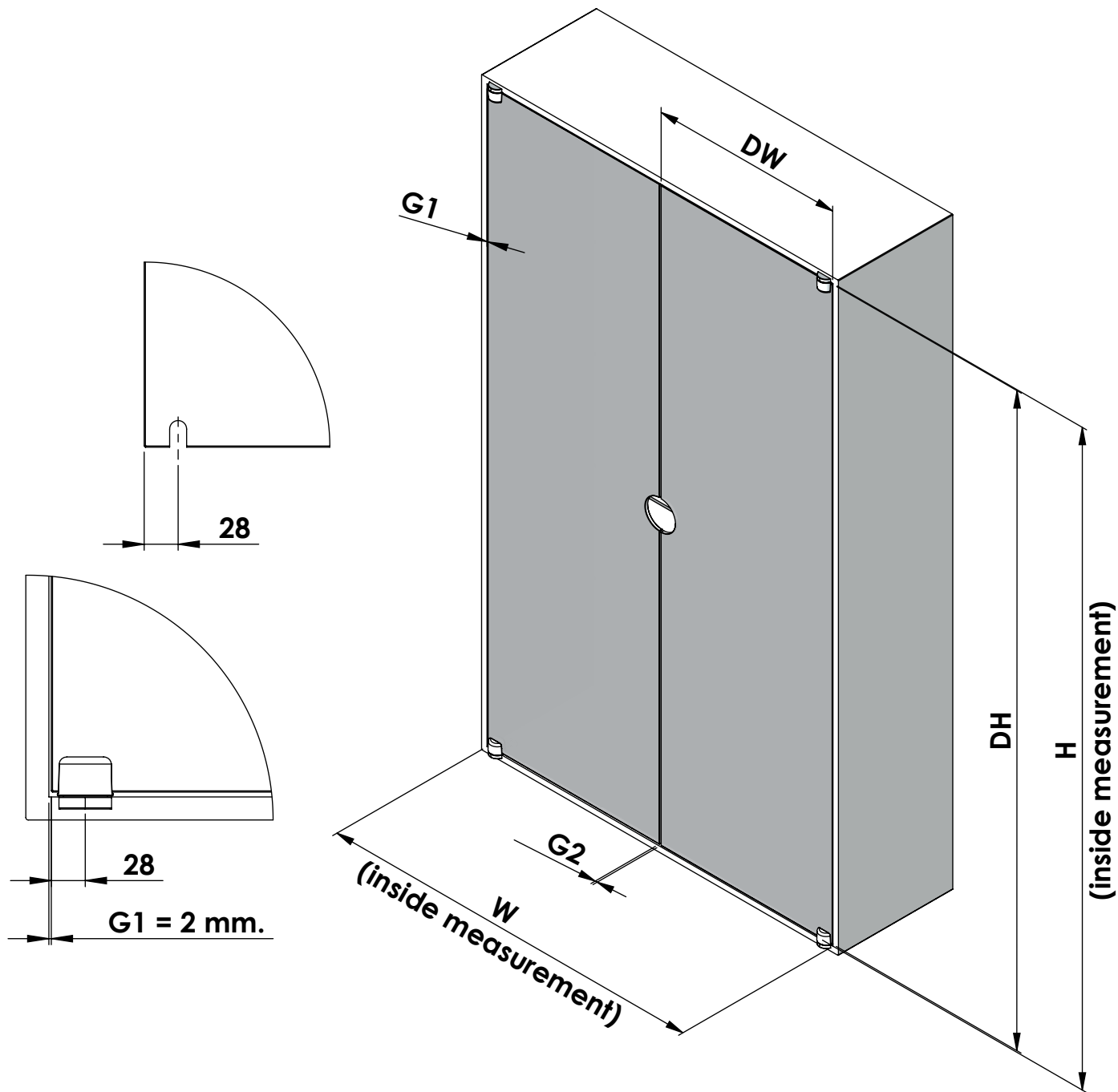
**For door installation as "insert" setup.  
(Door front is flush with the front edge)**



**A = Flush installation.**

**B = Elevated installation 4,5mm.**





**DH - Door Height  
by "A" Flush hinge installation:**  
 $H - 9 \text{ mm.} = DHa$

**DH - Door Height  
by "B" elevated hinge installation:**  
 $H - 18 \text{ mm.} = DHb$

**DW - Door width  
by single door:**  
 $W - G1 - G2 = DWs$

**DW - Door width  
by double door:**  
 $W - (G1 \times 2) - G2 = DW \times 0,5 = DWd$